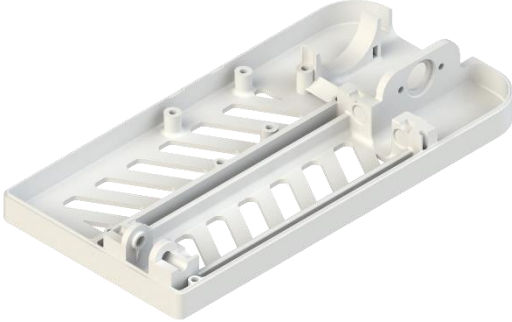


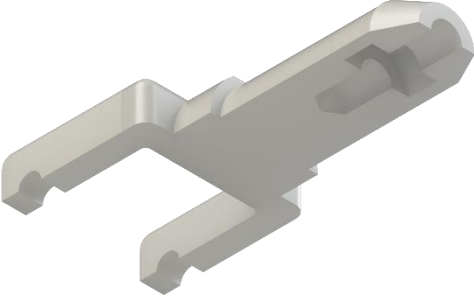


# List of 3D Printed Parts

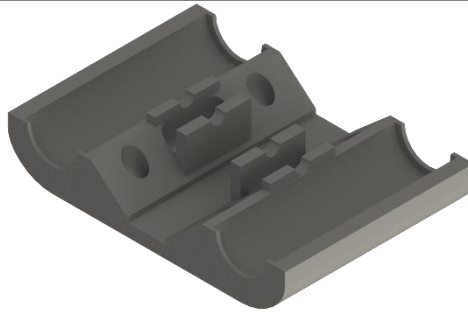
Part Number <sup>1</sup>	Name	Depiction
1	Base	
8	Motor cover	
10	Fan Guard	
15	Handle Base	

<sup>1</sup> Part numbers as defined in the “Part List” section of the “Assembly instructions for the haptic device” document.

---

16

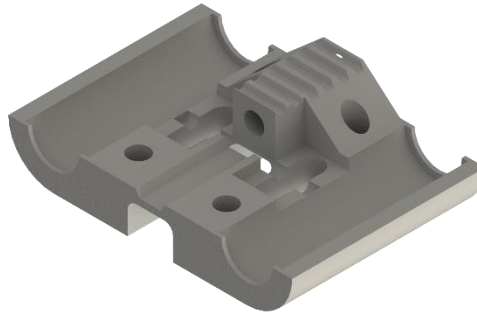
Carriage  
(top)



---

18

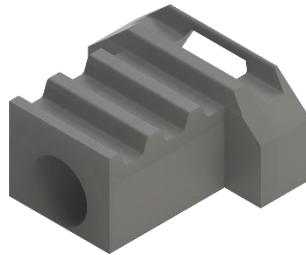
Carriage  
(bottom)



---

22

Tensioner



---

27

Cover



---

30

Handle

