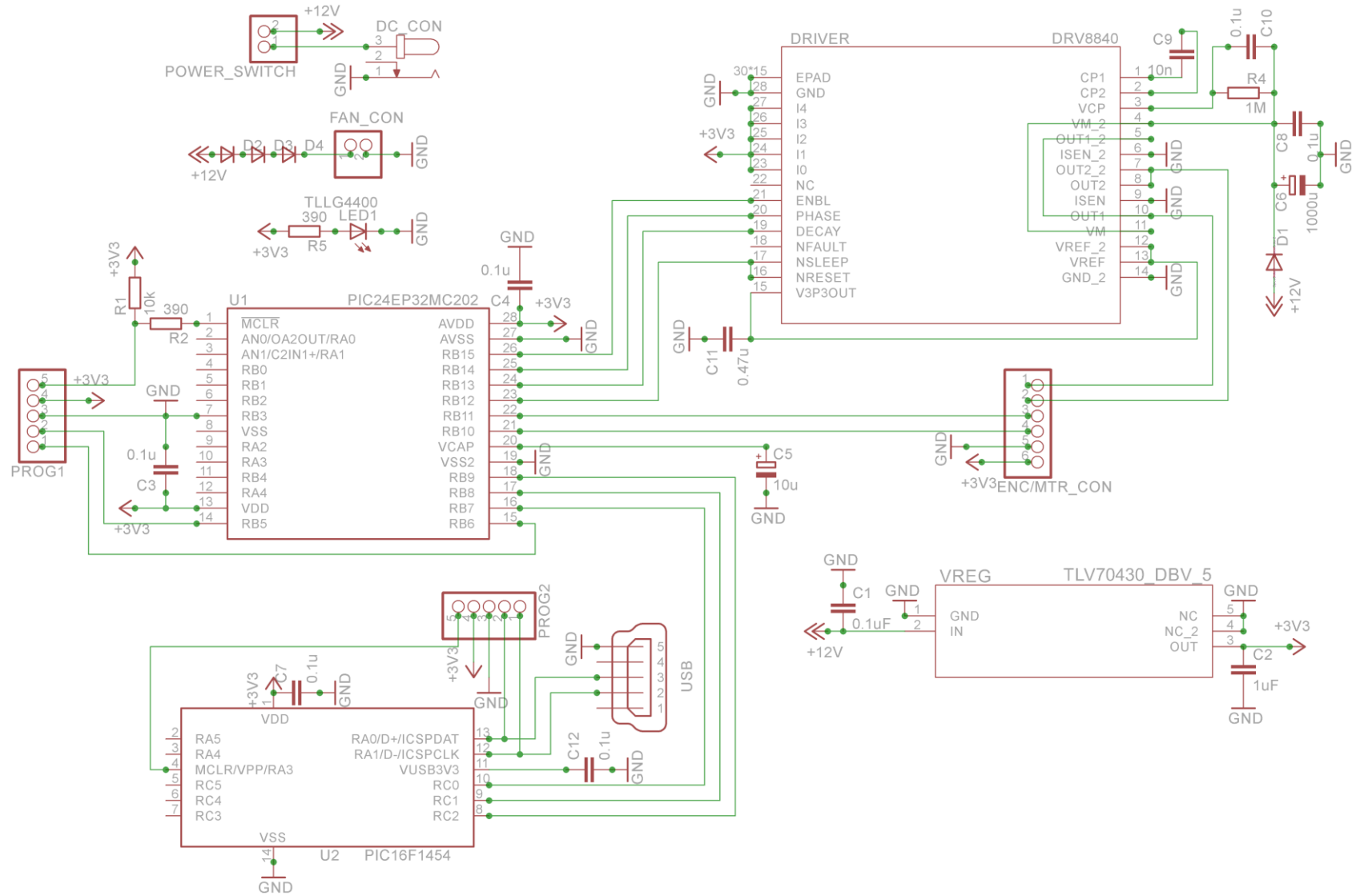


# Schematic



# Electronic Component List

Part	Value	Device	Description	Manufacturer
C1	0.1uF	C-EUC0805	Ceramic capacitor	-
C2	1uF	C-EUC0805	Ceramic capacitor	-
C3	0.1uF	C-EUC0805	Ceramic capacitor	-
C4	0.1uF	C-EUC0805	Ceramic capacitor	-
C5	10uF	CPOL-EUCT3216	Tantalum capacitor	-
C6	1000uF	CPOL-EUE5-10.5	Tantalum capacitor	-
C7	0.1uF	C-EUC0805	Ceramic capacitor	-
C8	0.1uF	C-EUC0805	Ceramic capacitor	-
C9	10nF	C-EUC0805	Ceramic capacitor	-
C10	0.1uF	C-EUC0805	Ceramic capacitor	-
C11	0.47uF	C-EUC0805	Ceramic capacitor	-
D1	-	B340A-13-F	Schottky Diode	Diodes Inc.
D2	-	1SS355TE-17	Diode	ROHM Semiconductor
D3	-	1SS355TE-18	Diode	ROHM Semiconductor
D4	-	1SS355TE-19	Diode	ROHM Semiconductor
DC_CON	-	SPC21364	DC Power Jack	-
DRIVER	-	DRV8840	Brushed DC Motor Driver	Texas Instruments
ENC/MTR_CON	-	XH-2.54-6P	Connector	-
FAN_CON	-	PINHD-1X2	Pin Header	-
LED1	-	TLLG4400	-	-
POWER_SWITCH	-	XH-2.54-2P	Connector	-
PROG1	-	PINHD-1X5	Pin Header	-
PROG2	-	PINHD-1X5	Pin Header	-
R1	10kΩ	R-EU_R0805	Resistor	-
R2	390Ω	R-EU_R0805	Resistor	-
R4	1MΩ	R-EU_R0805	Resistor	-
R5	390Ω	R-EU_R0805	Resistor	-
U1	-	PIC24EP32MC202	Microcontroller	Microchip
U2	-	PIC16F1454	Microcontroller	Microchip
USB	-	MINI-USB	MINI USB-B Connector	-
VREG	-	TLV70433	150mA Low-Dropout Regulator	Texas Instruments